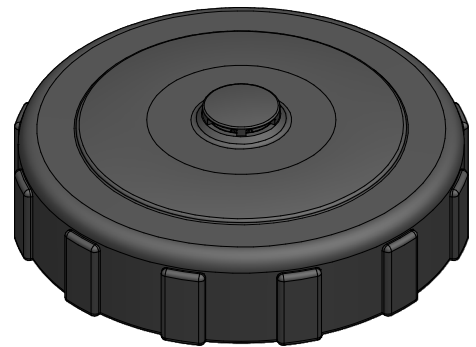
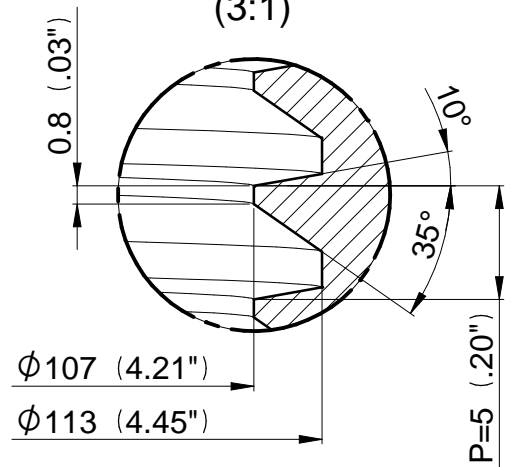


Det. A
(3:1)



GENERAL FEATURERS

- Lid in Polypropylene
- Gasket in NBR
- Diaphragm breather valve

ROTTERDAMPLASTICS

THIS DRAWING AND THE INFORMATION THEREON IS THE SOLE PROPERTY OF ROTTERDAM PLASTICS AND SHALL NOT BE COPIED OR REPRODUCED WITHOUT THE CONSENT OF ROTTERDAM PLASTICS.
DIMENSIONS ARE ALL IN MM UNLESS OTHERWISE STATED.
ALL TOLERANCES +/- .3% UNLESS STATED.

DISEGNO

DENOMINAZIONE

INDICE MODIFICA

0

CLASSE TOLLERANZA EN-ISO 2768-VL

PRIMA EMISSIONE DISEGNO

FIRMA

DATA

01/02/2024

SCALA

1:1

DIS.

A4

REV. 01